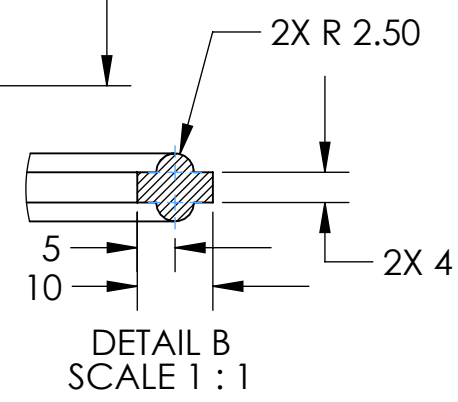
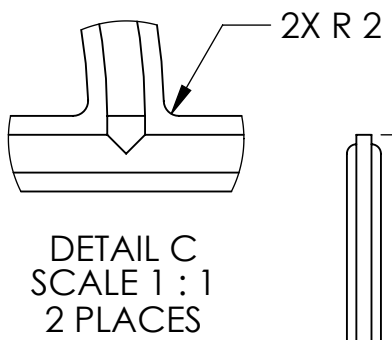
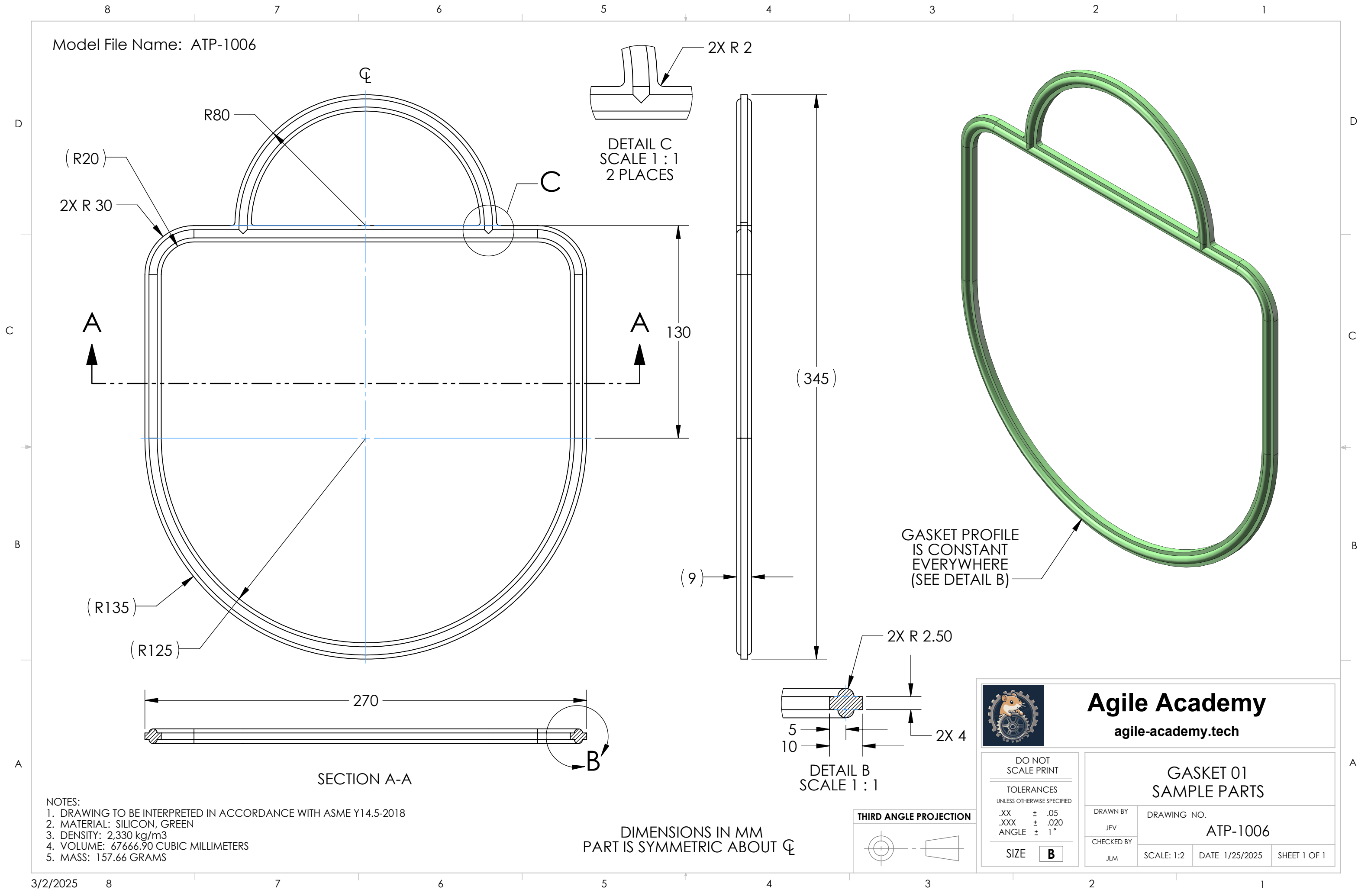


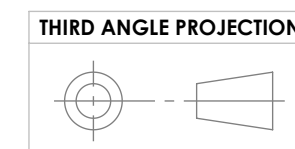
Model File Name: ATP-1006




GASKET PROFILE IS CONSTANT EVERYWHERE (SEE DETAIL B)

SECTION A-A

DIMENSIONS IN MM  
PART IS SYMMETRIC ABOUT  $\phi$



- NOTES:
1. DRAWING TO BE INTERPRETED IN ACCORDANCE WITH ASME Y14.5-2018
  2. MATERIAL: SILICON, GREEN
  3. DENSITY: 2,330 kg/m<sup>3</sup>
  4. VOLUME: 67666.90 CUBIC MILLIMETERS
  5. MASS: 157.66 GRAMS

 <p><b>Agile Academy</b> agile-academy.tech</p>		GASKET 01	
		SAMPLE PARTS	
DRAWN BY JEV	DRAWING NO. ATP-1006		
CHECKED BY JLM	SCALE: 1:2	DATE 1/25/2025	SHEET 1 OF 1

DO NOT SCALE PRINT

TOLERANCES  
UNLESS OTHERWISE SPECIFIED

.XX ± .05  
.XXX ± .020  
ANGLE ± 1°

SIZE **B**