



TT

Alkanes - Properties

1 2 3 4 5

General
Formula

e.g.

Saturated

Non-polar

Not water
soluble

Unreactive

Varied T_M / T_B





Structural Isomers

Structural
Isomers

AKA



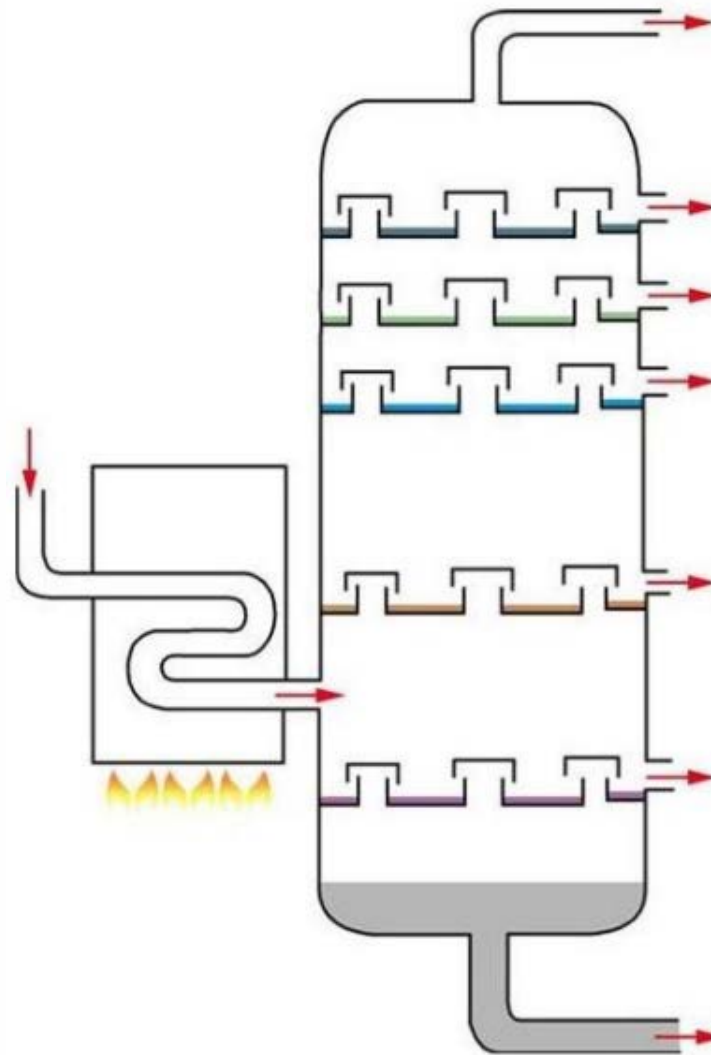


Fractional Distillation

- 1
- 2
- 3
- 4
- 5

Crude Oil:

Fractions:





Cracking

Thermal
Cracking

-
-



Go on to form:

Catalytic
Cracking

-
-



Go on to form:

Reforming





Cyclical Alkanes

Cyclical
Alkanes

AKA

.

.

.

e.g.

Isomer



Combustion of Alkanes

Complete
Combustion

Complete Combustion ()



However

Incomplete Combustion ()



Balancing:

①

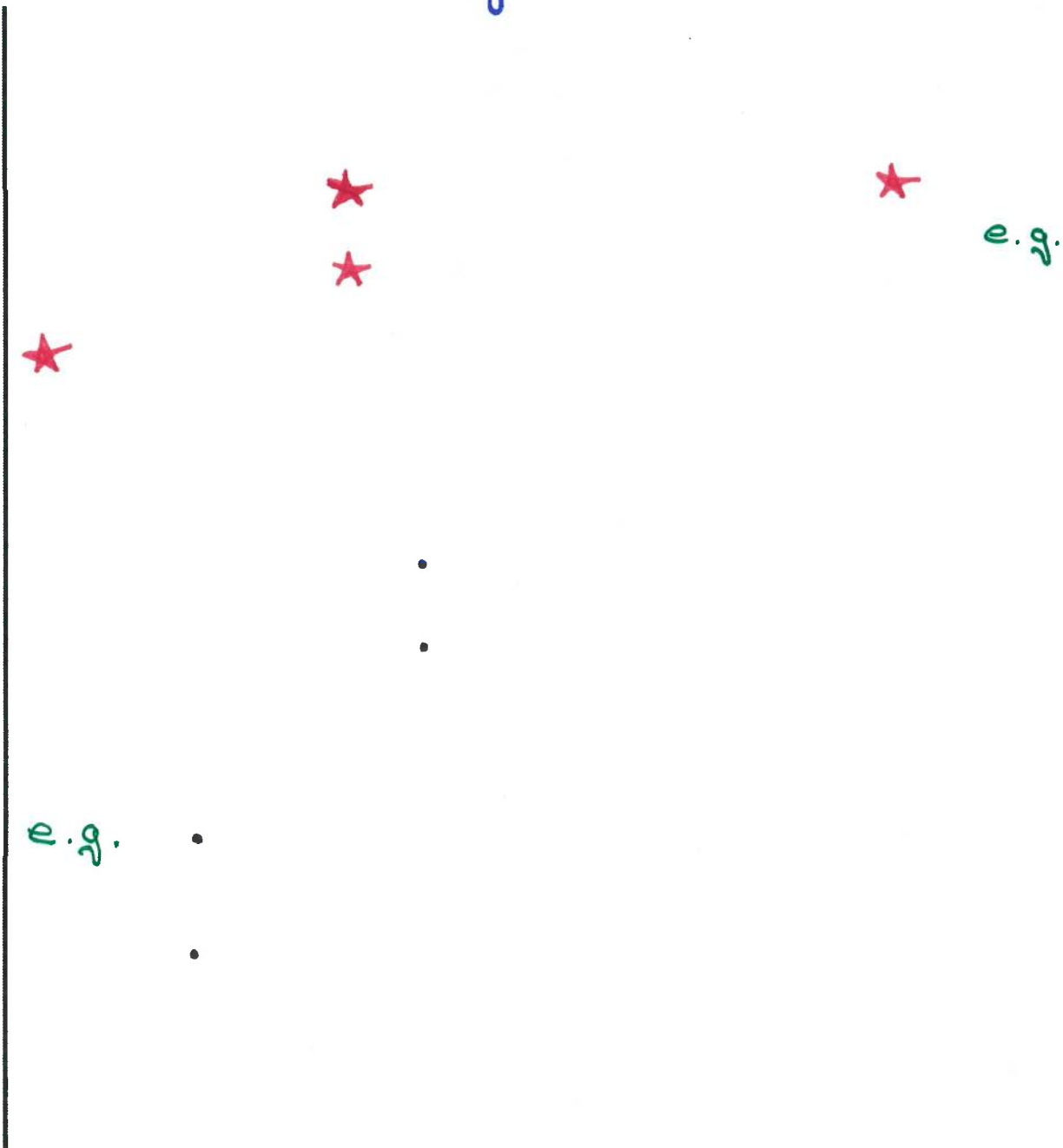
②

③

Incomplete
Combustion



Catalytic Converters

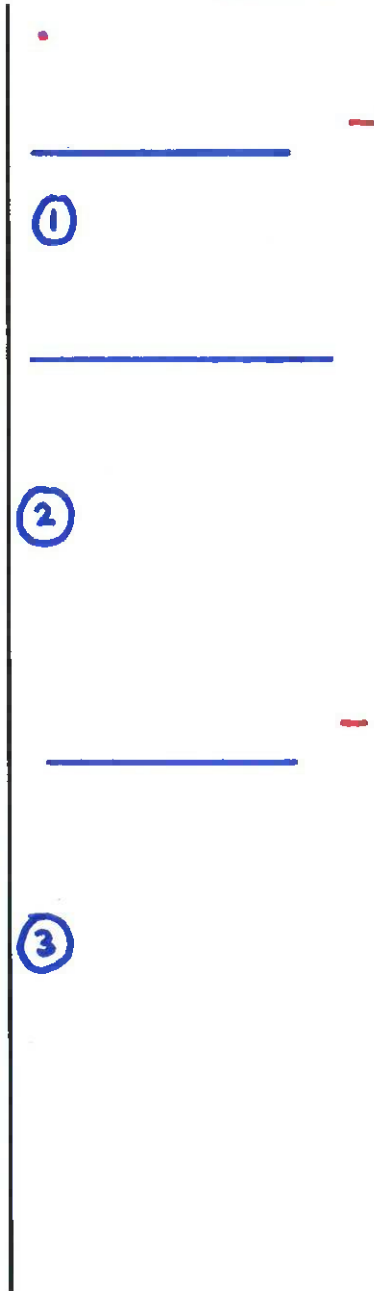




Free Radical Substitution

- 1
- 2
- 3
- 4
- 5

Free Radical
Substitution



NOTES!

①

②

③

