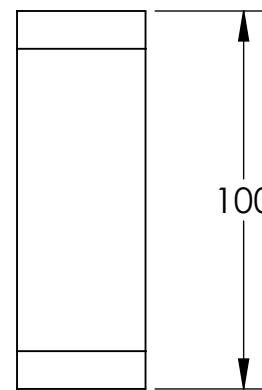
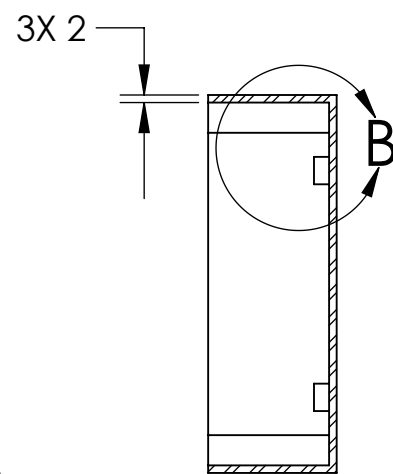
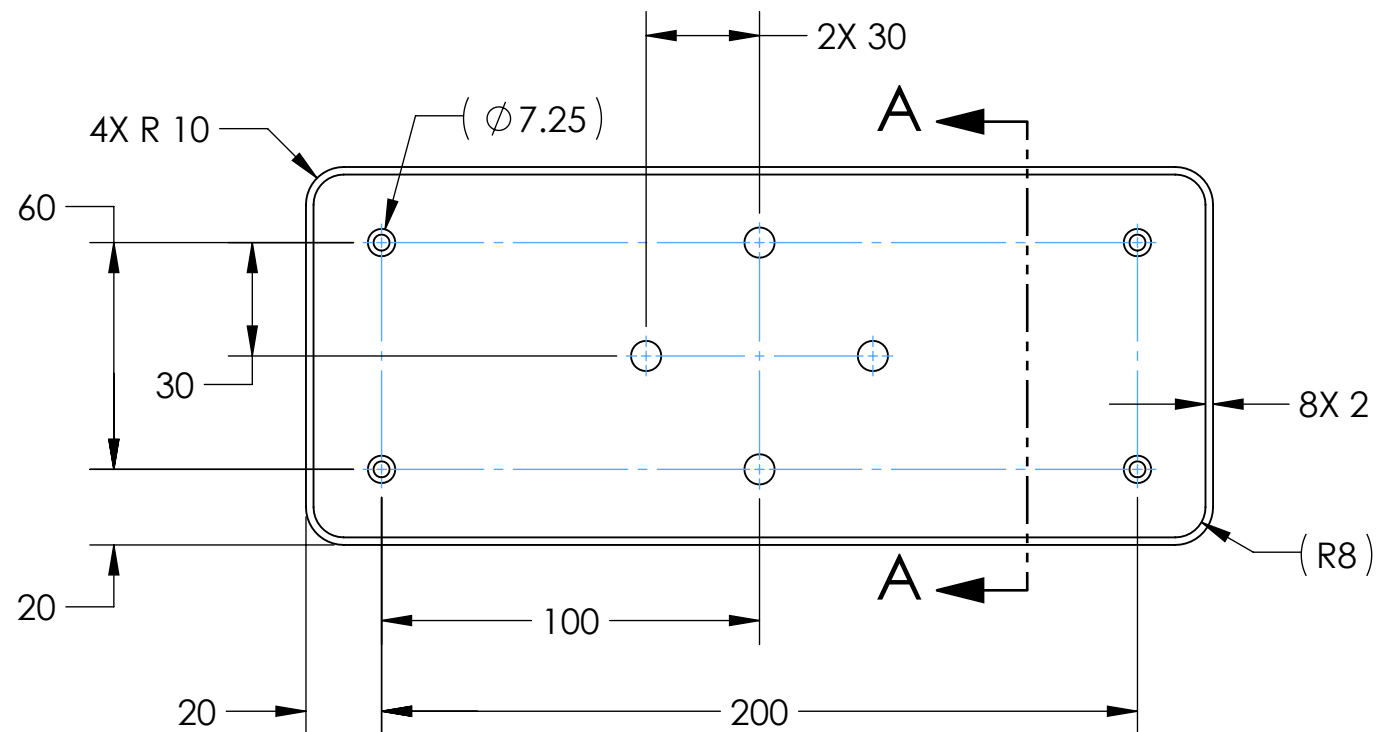
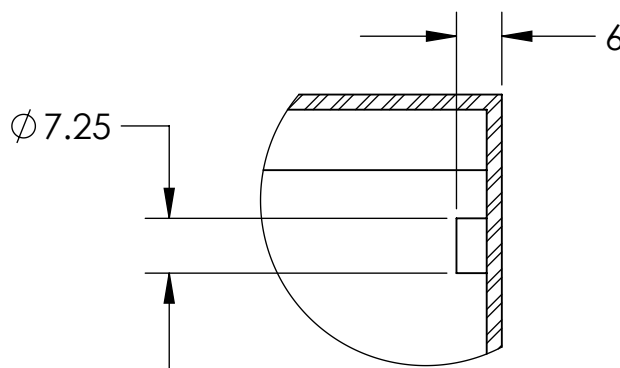


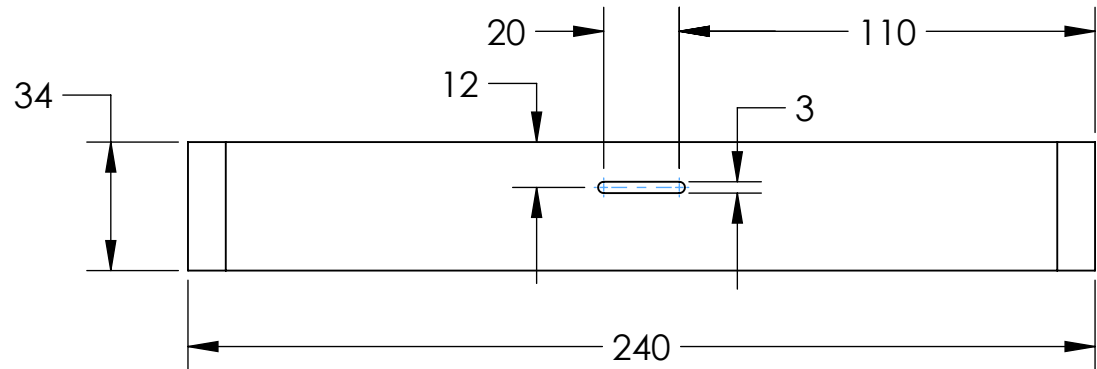
Model File Name: ATP-1001



SECTION A-A



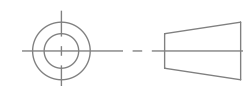
DETAIL B
SCALE 1 : 1
4 PLACES




DIMENSIONS IN MM

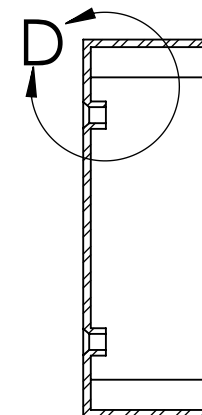
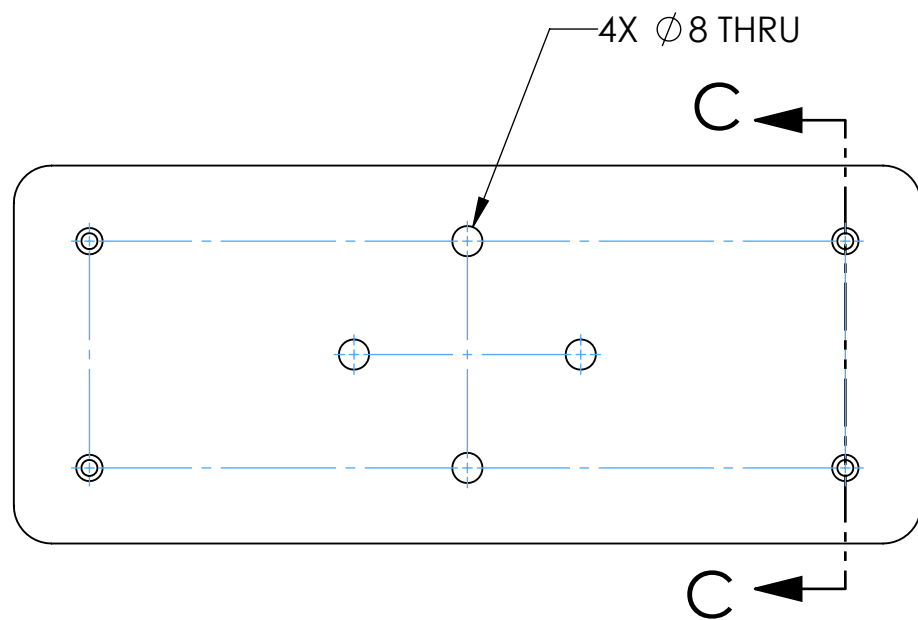
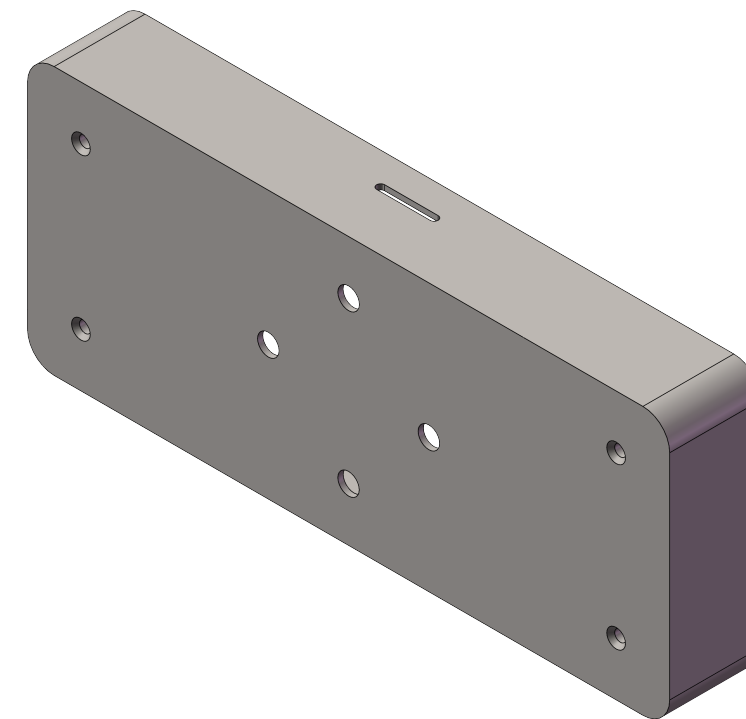
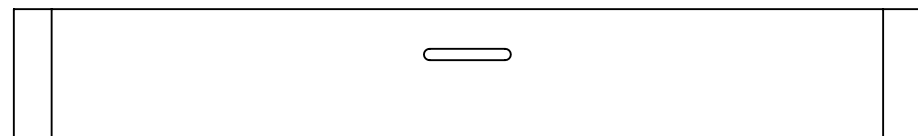
- NOTES:
1. DRAWING TO BE INTERPRETED IN ACCORDANCE WITH ASME Y14.5-2018
 2. MATERIAL: AISI 304 STAINLESS STEEL
 3. DENSITY: 8,000 kg/m³
 4. VOLUME: 89560.62 CUBIC MILLIMETERS
 5. MASS: 716.48 GRAMS

THIRD ANGLE PROJECTION

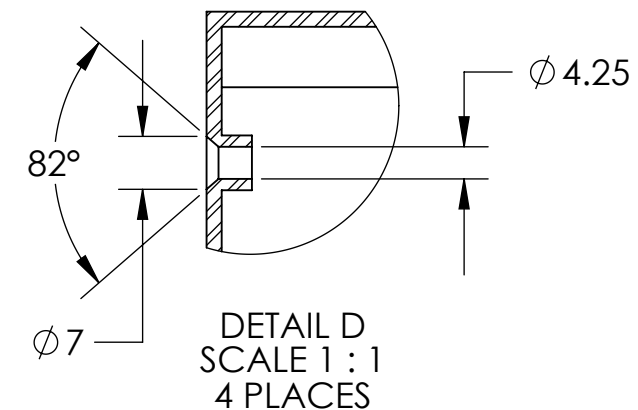


 Agile Academy agile-academy.tech	
BOX 02 SAMPLE PARTS	
DO NOT SCALE PRINT TOLERANCES UNLESS OTHERWISE SPECIFIED .XX ± .05 .XXX ± .020 ANGLE ± 1°	DRAWN BY JEV CHECKED BY JLM
DRAWING NO. ATP-1001	SCALE: 1:2 DATE 1/23/2025 SHEET 1 OF 2
SIZE B	

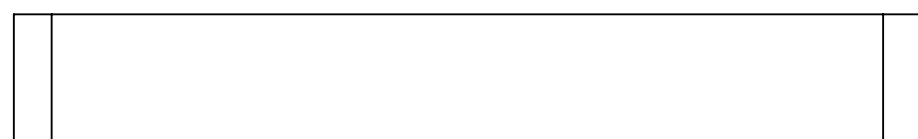
Model File Name: ATP-1001



SECTION C-C



DETAIL D
SCALE 1 : 1
4 PLACES




- NOTES:
1. DRAWING TO BE INTERPRETED IN ACCORDANCE WITH ASME Y14.5-2018
 2. MATERIAL: AISI 304 STAINLESS STEEL
 3. DENSITY: 8,000 kg/m3
 4. VOLUME: 89560.62 CUBIC MILLIMETERS
 5. MASS: 716.48 GRAMS

DIMENSIONS IN MM

THIRD ANGLE PROJECTION



 <p>Agile Academy agile-academy.tech</p>		
<p>BOX 02 SAMPLE PARTS</p>		
<p>DO NOT SCALE PRINT</p> <p>TOLERANCES UNLESS OTHERWISE SPECIFIED</p> <p>.XX ± .05 .XXX ± .020 ANGLE ± 1°</p> <p>SIZE B</p>	<p>DRAWN BY JEV</p> <p>CHECKED BY JLM</p>	
<p>DRAWING NO. ATP-1001</p>		
SCALE: 1:2	DATE 1/23/2025	SHEET 2 OF 2