

WOODTURNING FOR BEGINNERS

These supporting documents accompany the **Woodturning for Beginners** video tutorials and clearly illustrates the equipment you will need, safety, and sharpening your tools.

There are also guide plans for the projects you'll make as well as trouble shooting tips.

A helpful glossary of terms is included to help you as you begin your woodturning journey.

Terms: Axminster Tools assumes no responsibility for errors or omissions in the contents of this course. In no event shall Axminster Tools be liable for any special, direct, indirect, consequential, or incidental damages or any damages whatsoever, arising out of or in connection with the use of the course or the contents of the course.

Axminster Tools reserves the right to make additions, deletions, or modifications to the contents on the course at any time without prior notice.

Axminster Tools is not responsible for any errors or omissions, or for the results obtained from the use of this information in relation to the course.

Axminster Tools will not be liable to You or anyone else for any decision made or action taken in reliance on the information given by the course or for any consequential, special or similar damages, even if advised of the possibility of such damages.

Course Contents

▶ = All information can be found in the video

Module 01

Course overview

Course overview Page 3
Meet your tutors Page 4

Module 02

Equipment Overview

Tool list, and workshop set up Page 5

Module 03

The Lathe

Anatomy of the lathe Page 6

Module 04

Safety

Safety on the lathe Page 7
PPE and extraction Page 8

Module 05

Woodturning Centres

See Video ▶

Module 06

Four Jaw Chuck

See Video ▶

Module 07

Chisels Overview

Woodturning Tools Page 9

Module 08

Sharpening your tools

Principles of sharpening Page 10
Sharpening angles for the six main woodturning chisels Page 11

Module 09

Timber Overview

See Video ▶

Module 10

Sanding

See Video ▶

Module 11

Finishing

See Video ▶

Module 12

Practice piece

Cutting guide Page 12

Module 13

Project 1: Toadstool

Working drawings Page 13

Module 14

Project 2: Vase

Working drawings Page 14

Troubleshooting Tips

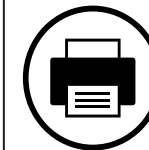
Page 15

Additional Resources

Page 16

Glossary

Pages 17- 18



We recommend you print these documents to refer to alongside the videos. Print full size on A4 landscape.

Module 1.1

COURSE OVERVIEW

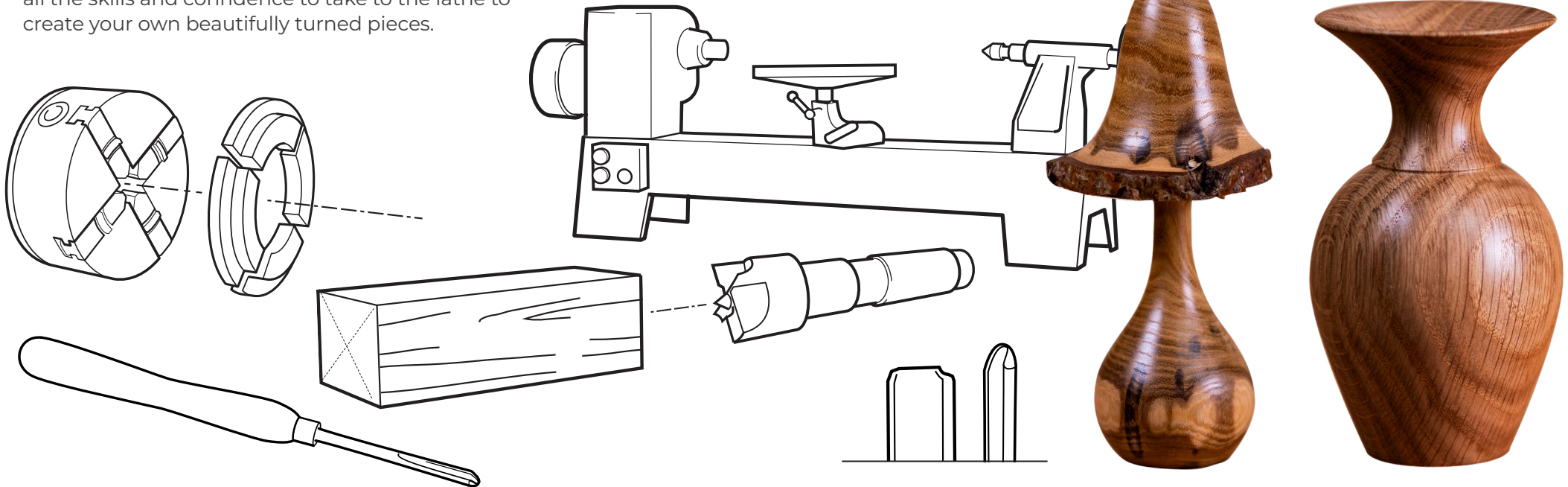
Designed and compiled by experts from Axminster Tools, this Woodturning for Beginners online course will introduce you to the foundations of woodturning and will arm you with all the skills you need to get started.

The course is led by world renowned woodturners, **Jason Breach** RPT and **Colwin Way** RPT, who will guide you through all the basic skills required to start you on your turning journey.

At the end of this course you will have gained all the skills and confidence to take to the lathe to create your own beautifully turned pieces.

You will be introduced to the woodturning lathe, general health and safety practices associated with woodturning, the tools and equipment required as well as skills and techniques needed to produce a range of cuts using common woodturning tools. We will also introduce you to sharpening techniques to ensure your chisels stay sharp.

There will also be a number of small, practical exercises and projects to complete throughout the course, bringing together all the skills you will learn.



Module 1.2

MEET YOUR TUTORS

The course is led by world renowned woodturners, Jason Breach and Colwin Way RPT, who will guide you through all the basic skills required to get you started.

At the end of this course you will be armed with the skills and confidence to take to the lathe to create your own beautifully turned pieces.



JASON BREACH

Jason has more than 38 years' experience as a woodturner. He was introduced to the lathe at the age of 12 and soon discovered box turning, which later became one of his signature pieces, earning him critical acclaim the world over.

Jason pursued woodworking as a career, gaining a BA (Hons) degree in Furniture Design & Management. He worked for a number of years making furniture and bespoke kitchens, allowing him to develop and hone his skills, before becoming a woodworking tutor at **Axminster Tools**.

Jason continues to travel the world demonstrating and tutoring woodturning to students of all abilities. He can also be found on **Axminster Tools'** YouTube channel sharing his knowledge and passion through the company's regular Woodworking Wisdom demonstrations.



COLWIN WAY

Colwin's woodturning career spans almost 40 years with many of those spent as a woodturning tutor with **Axminster Tools**.

His interest in woodturning started at school and has been turning ever since, with woodturning taking Colwin to 10 different countries and 26 US states, demonstrating his skills.

He joined the Register of Professional Turners in 1998 and he is a regular contributor and guest editor of Woodturning Magazine.