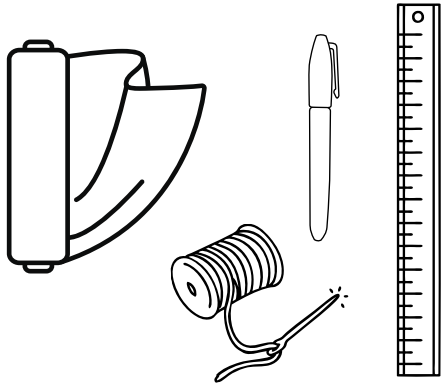
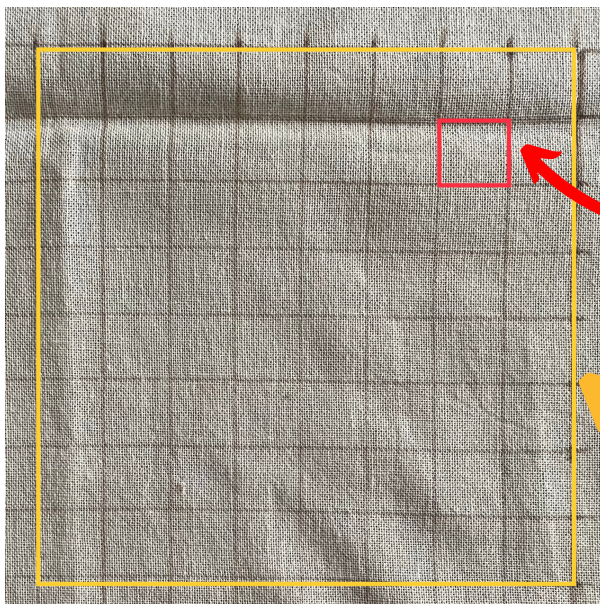


Tools and Materials



- A piece of cotton fabric (minimum size : 20×20cm)
- Sashiko thread (or embroidery floss)
- A sashiko needle
(or any needle you have, the thick and long one is better)
- A ruler
- A fabric marker

Homework before the workshop

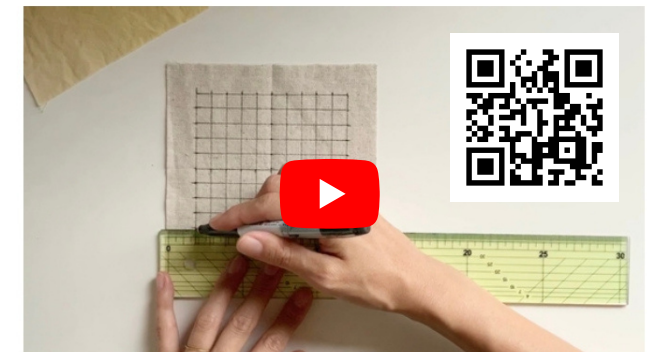


Draw the grid lines with an erasable pen.

Size of each square
1.5cm×1.5cm
or
1/2 in × 1/2 in

12×12 squares

Tutorial video



How to draw the grid

<https://youtu.be/bFTvWdnna2Q>