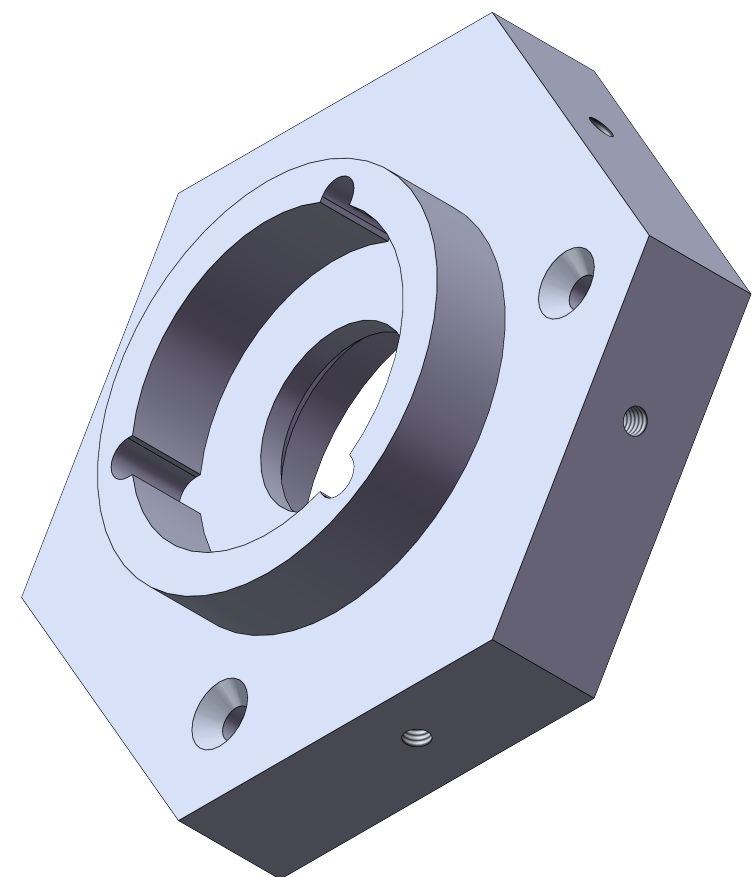
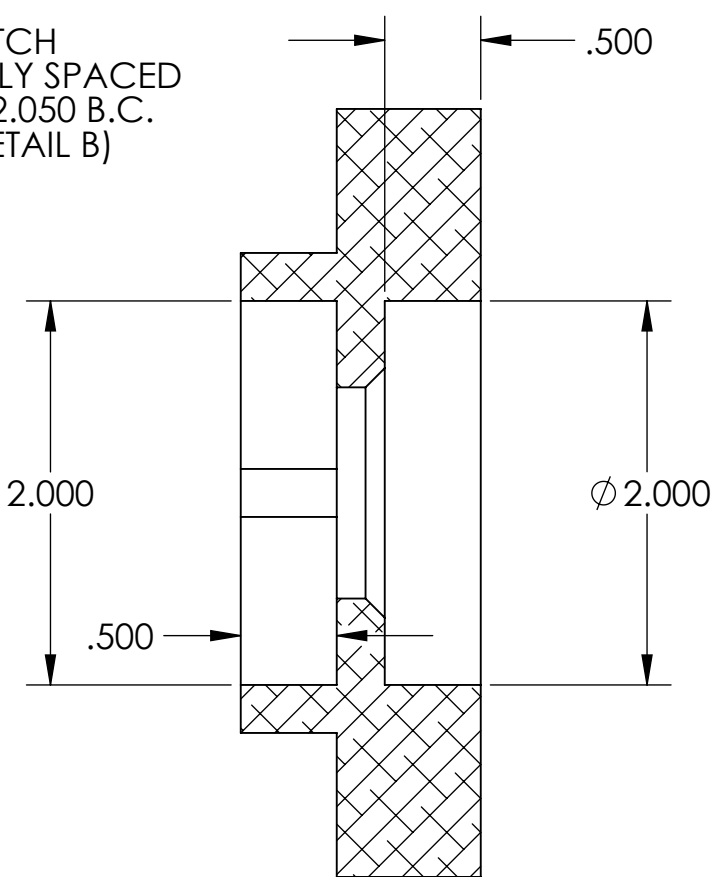
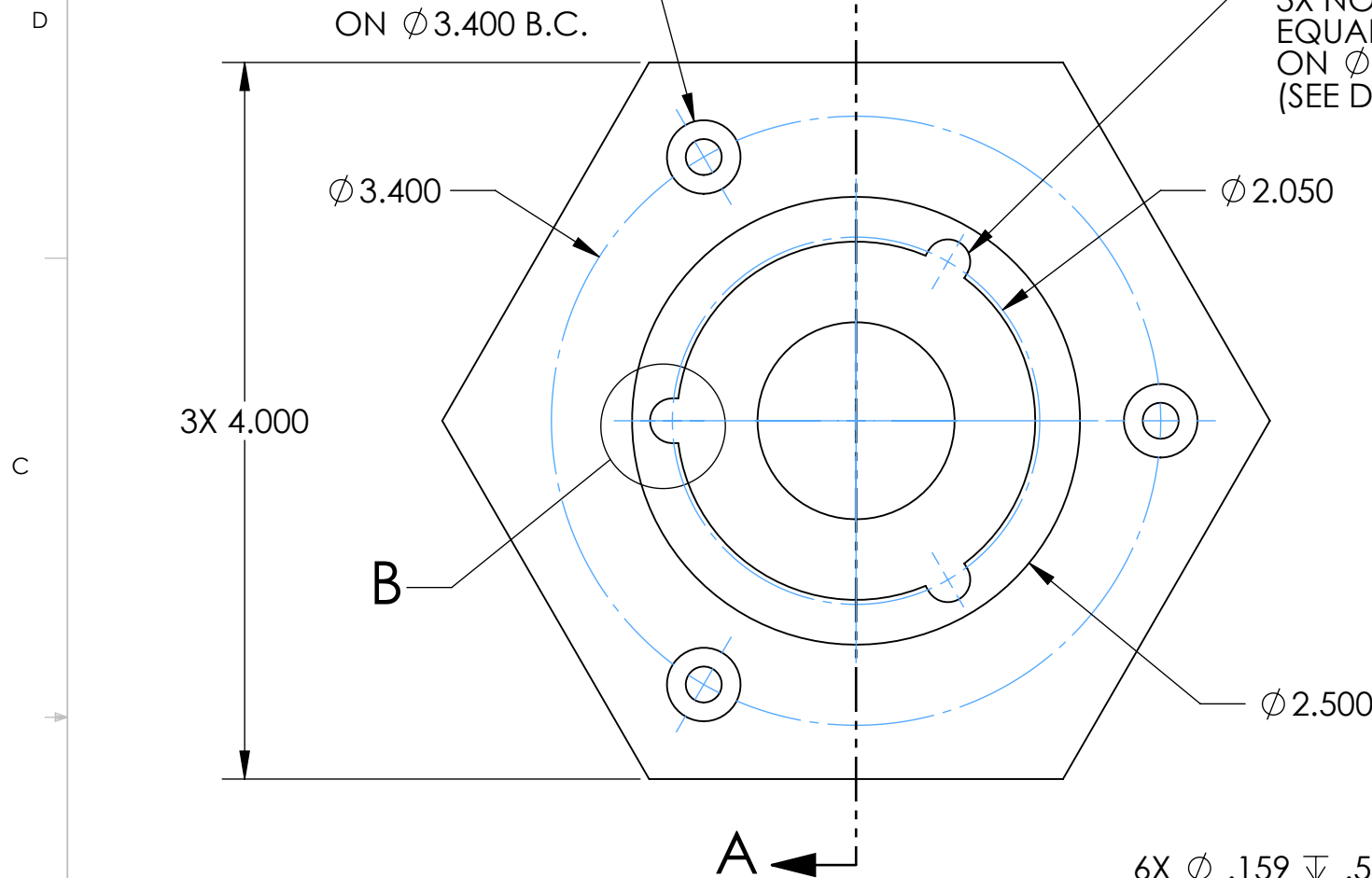


Model File Name: ATP-005

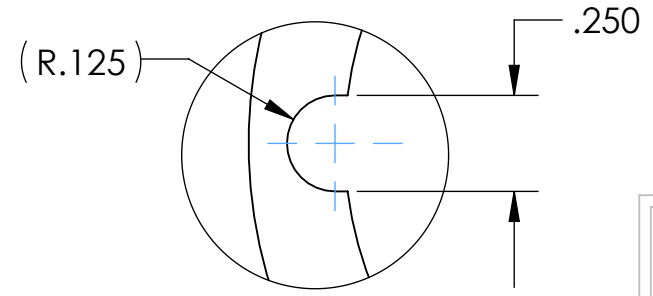
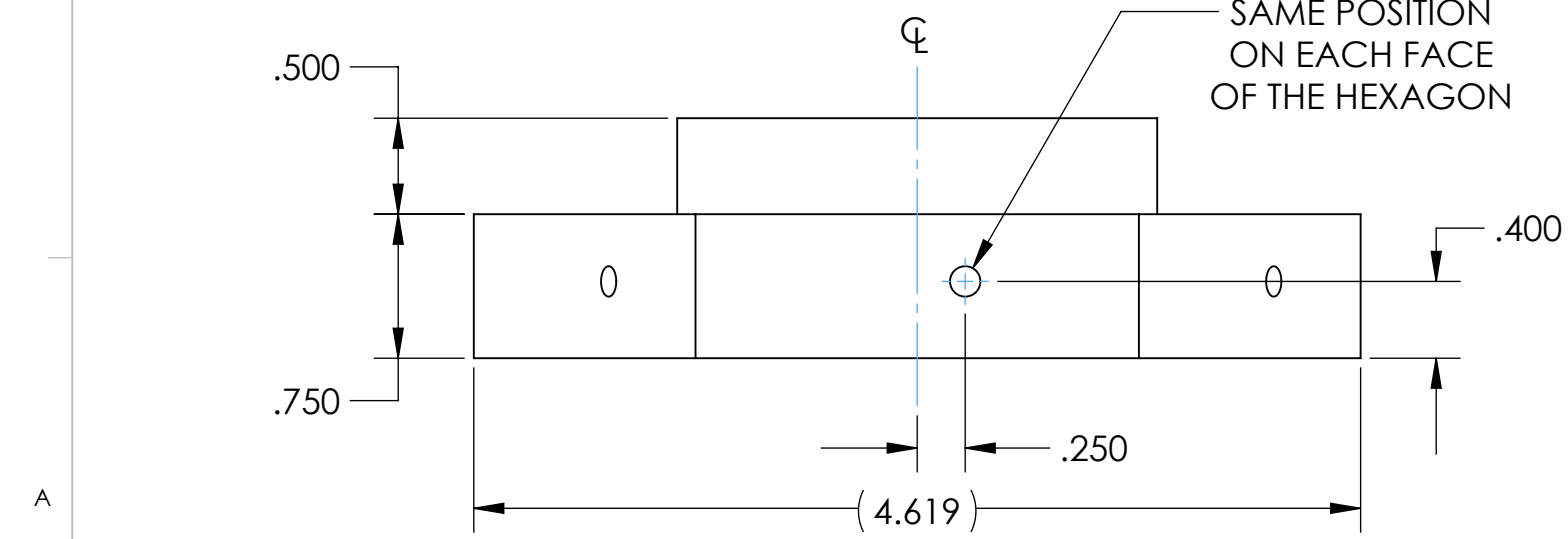
3X ϕ .201 THRU
 \surd ϕ .411 X 82°
EQUALLY SPACED
ON ϕ 3.400 B.C.

3X NOTCH
EQUALLY SPACED
ON ϕ 2.050 B.C.
(SEE DETAIL B)



SECTION A-A
SCALE 1 : 1

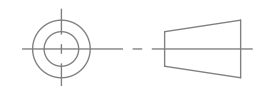
6X ϕ .159 ∇ .519
10-32 UNF - 2B ∇ .425
SAME POSITION
ON EACH FACE
OF THE HEXAGON



DETAIL B
SCALE 2 : 1

DIMENSIONS IN INCHES

THIRD ANGLE PROJECTION



- NOTES:
1. DRAWING TO BE INTERPRETED IN ACCORDANCE WITH ASME Y14.5-2018
 2. MATERIAL: 6061-T6 (SS) ALUMINUM
 3. DENSITY: 2,700 kg/m³
 4. VOLUME: 9.251 CUBIC INCHES
 5. MASS: 0.902 LBS



Agile Academy
agile-academy.tech

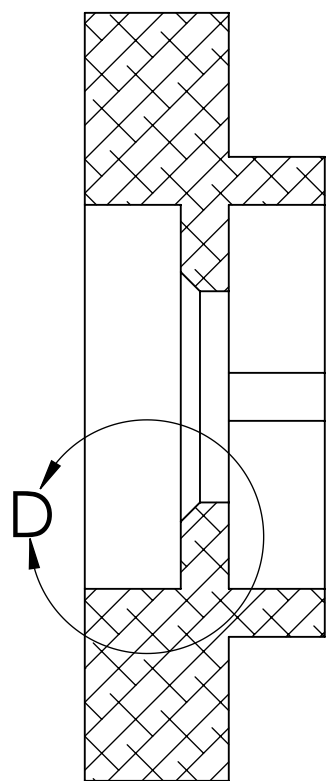
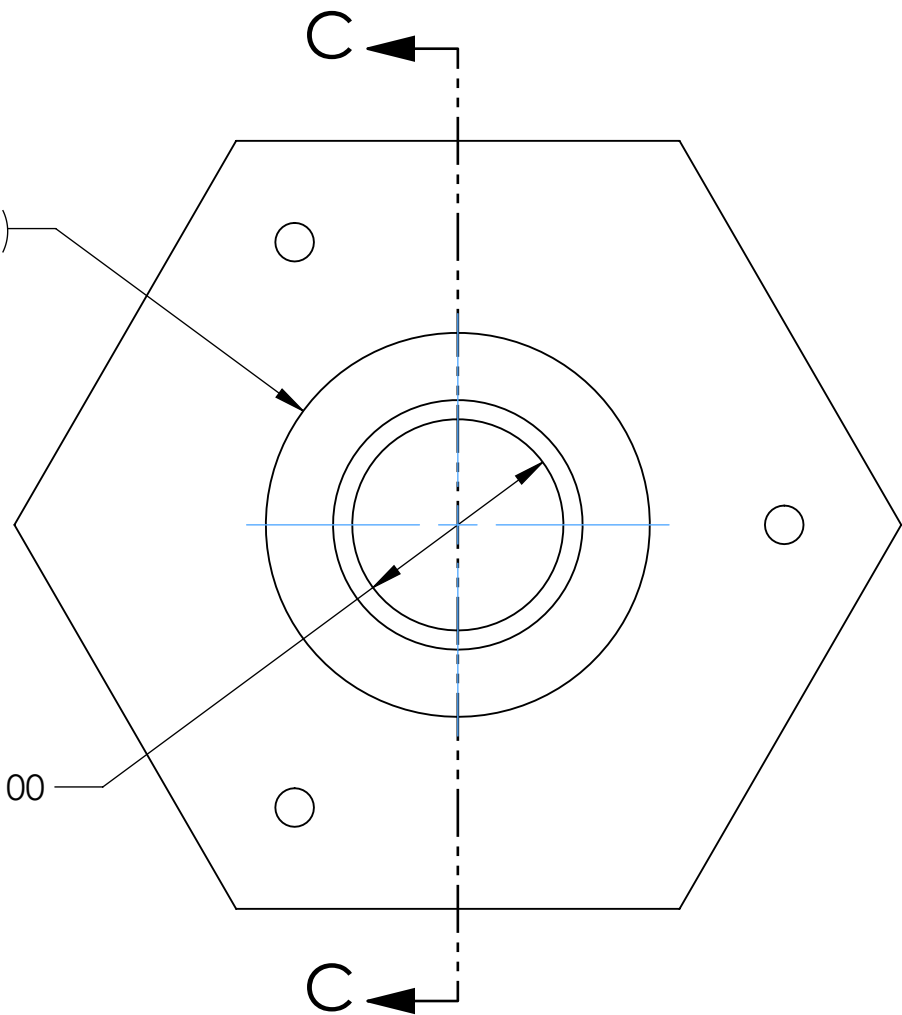
HEX BRACKET 01
SAMPLE PARTS

DRAWN BY
JEV
CHECKED BY
JLM

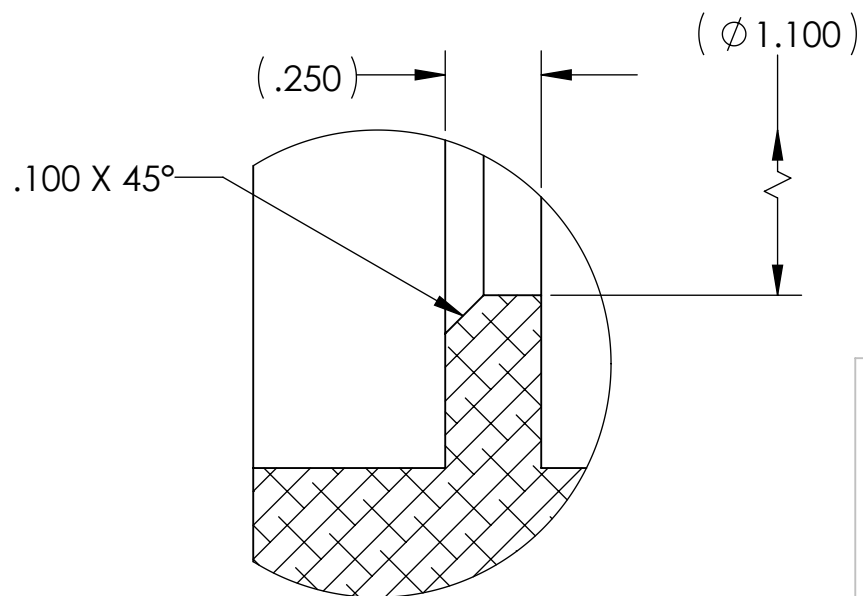
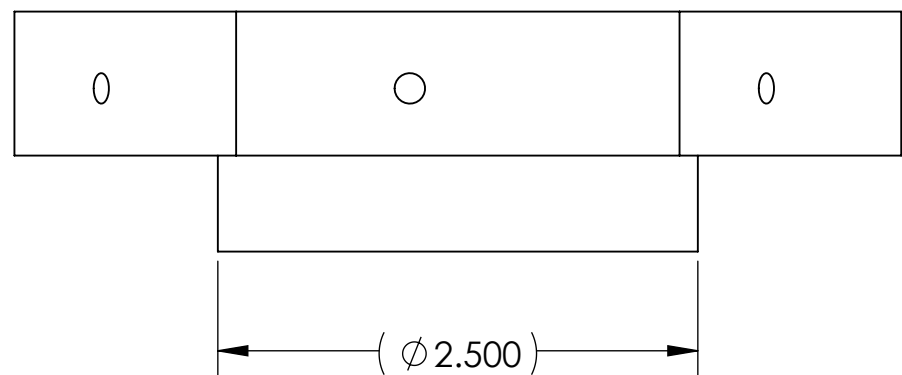
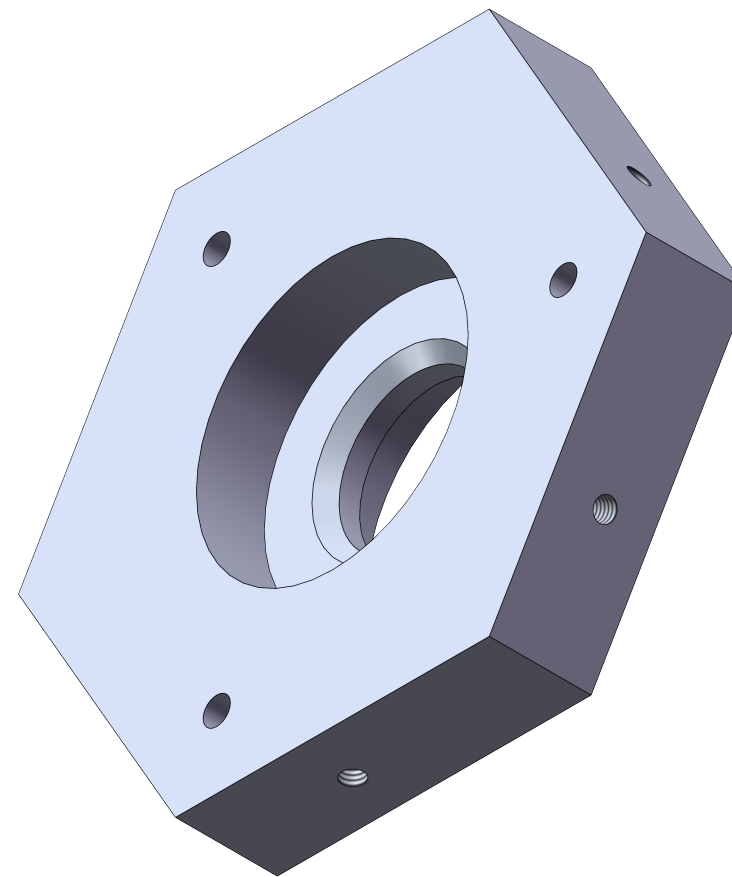
DRAWING NO.
ATP-005

SCALE: 3:4 DATE 1/4/2025 SHEET 1 OF 2

Model File Name: ATP-005



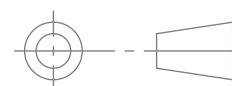
SECTION C-C




DETAIL D
SCALE 2 : 1

DIMENSIONS IN INCHES

THIRD ANGLE PROJECTION



| | |
|--|---|
|  Agile Academy agile-academy.tech | |
| DO NOT SCALE PRINT TOLERANCES UNLESS OTHERWISE SPECIFIED .XX ± .01 .XXX ± .005 ANGLE ± 1° | |
| DRAWN BY JEV | DRAWING NO. ATP-005 |
| CHECKED BY JLM | SCALE: 1:1 DATE 1/4/2025 SHEET 2 OF 2 |

- NOTES:
1. DRAWING TO BE INTERPRETED IN ACCORDANCE WITH ASME Y14.5-2018
 2. MATERIAL: 6061-T6 (SS) ALUMINUM
 3. DENSITY: 2,700 kg/m³
 4. VOLUME: 9.251 CUBIC INCHES
 5. MASS: 0.902 LBS